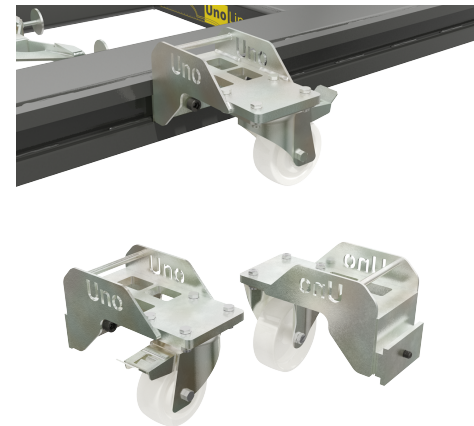


W20 In-Ground Bench Wheel Set



The UnoLiner W20 In-Ground Bench Wheel Set consists of two swivel casters with brakes and two rigid casters. When combined with the *W60 Manual Lift*, this set adds mobility to a UnoLiner *In-Ground* chassis straightening bench, allowing it to be freely moved around in the repair workshop or relocated entirely.

Features

- ✓ For moving In-Ground benches
- ✓ Two rigid casters
- ✓ Two swivel casters with brakes
- ✓ Quick Lock single-bolt locking system

Technical data

Caster diameter	Ø150	mm
-----------------	------	----

