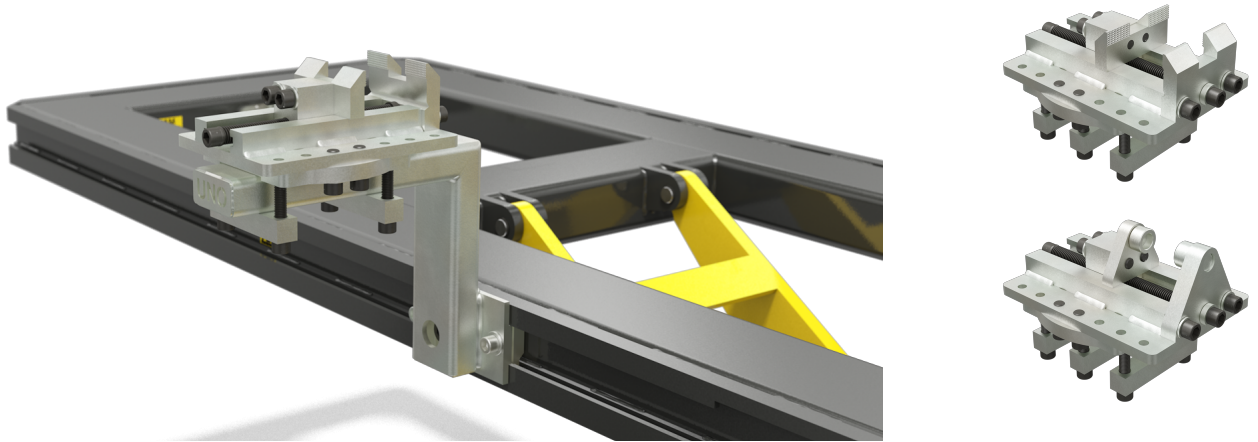


## C30/C31 Truck Chassis Clamp



The UnoLiner C30/C31 Truck Chassis Clamp is perfect for securing 4x4s, pickup trucks of all sizes, utility vehicles, SUVs, vans, and campervans to UnoLiner straightening benches. The set includes jaw and cup clamps in different sizes. The clamp head can be rotated and fixed in position for optimal placement.

### Features

- ✓ Sill clamp for trucks
- ✓ Rotatable clamp fixture
- ✓ Different sizes in one set
- ✓ Different types in one set
- ✓ Compatible with UnoLiner bench adapters

### Technical data

Length	300	mm
Standard height	218	mm
Width	235	mm
Angle of rotation	50	degrees

