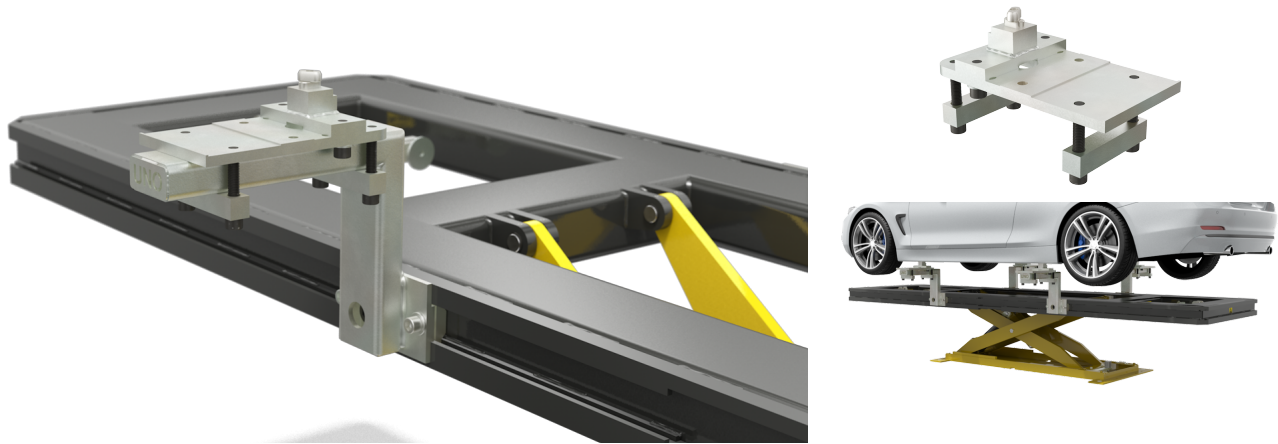


## C160 BMW-Mini Chassis Clamp



The UnoLiner C160 BMW-Mini Chassis Clamp is a jig anchoring system that is specifically designed for all BMW and Mini cars. Its modifications provide fast, easy, and secure fastening of BMWs and Minis to all UnoLiner bench adapters and chassis straightening bench frames.

### Features

- ✓ Designed for BMW and Mini cars
- ✓ Fits on all UnoLiner bench adapters

### Technical data

Length	310	mm
Height	184	mm
Width	170	mm

