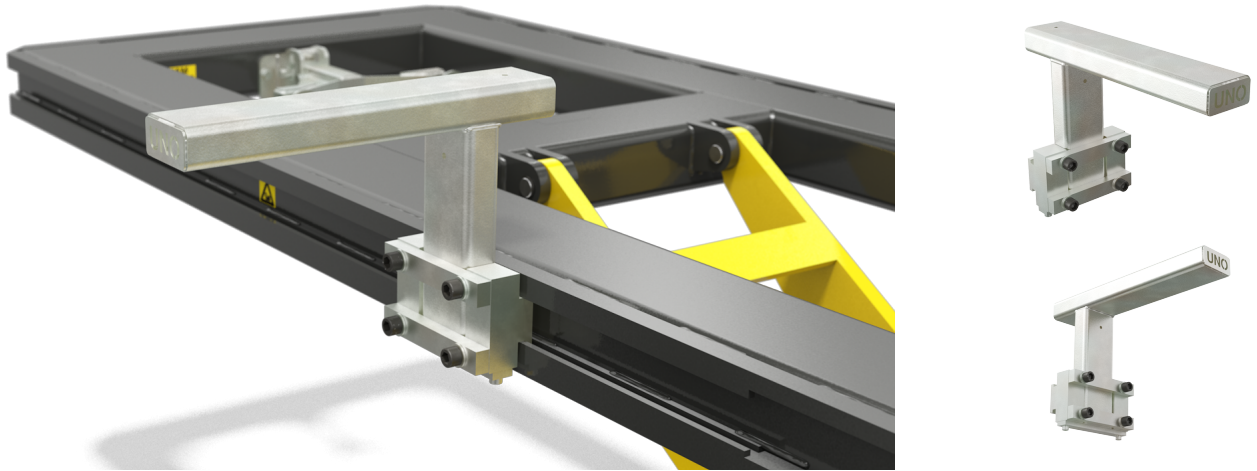


## B70 Adjustable Bench Adapter



The UnoLiner B70 Adjustable Bench Adapter has an adjustable height of 60 to 330 mm above bench level and fits on all UnoLiner straightening benches. The B70 supports all types of UnoLiner chassis clamps and allows for maximum flexibility when it comes to repairing all sorts of vehicles, from the smallest microcar to the largest SUV, MPV, or heavy-duty pickup truck.

### Features

- ✓ Compatible with all UnoLiner chassis clamps
- ✓ Compatible with all UnoLiner benches
- ✓ Reversible to face bench centre
- ✓ Secure locking system
- ✓ Adjustable height

### Technical data

Height above bench	60-330	mm
Length	500	mm
Width	100	mm
Max. load weight	1250	kg

